

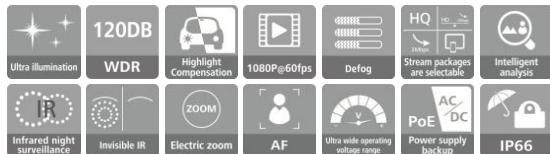
IPC6225-VRZ(-SP)

2MP Network IR Bullet Camera

IPC6225-VRZ



IPC6225-VRZ-SP

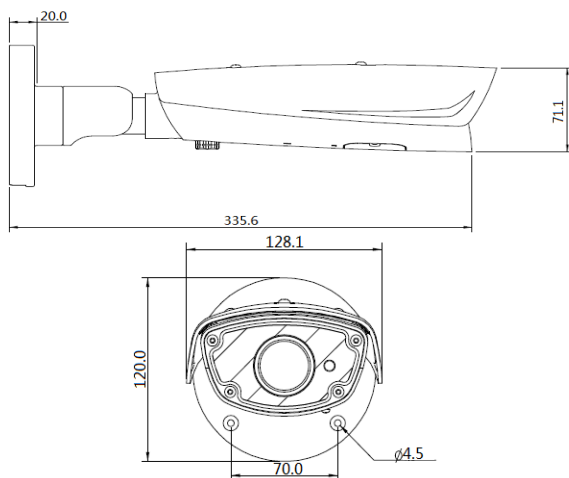


Features

- H.265, H.264 and MJPEG video compression standard
- Invisible IR(-SP)
- Built-in motorized zoom and focus lens
- Effective pixels 1920x1080 at 60 fps
- Ultra WDR up to 120dB
- Highlight suppression
- Auto defogging
- Image stabilization
- Intelligent analytics
- DC/AC supply and PoE hot backup for each other
- Ultra wide operating voltage range up to $\pm 25\%$
- Ultra wide operating temperature range: $-40\sim 60^{\circ}\text{C}$
- IP66 protection class

Dimension

Unit: mm



Optional Accessories



ACC2208H-P

Specifications

Model Item	IPC6225-VRZ	IPC6225-VRZ-SP
Camera		
Image sensor	1/2.8" 2.0 megapixel progressive scan CMOS	
Effective pixels	1920(H)×1080(V)	
Min. Illumination	Color: 0.008lux (F1.4, AGC ON); B/W : 0.002lux (F1.4, AGC ON), 0 lux with IR on	
Day/Night mode	Auto/Color/Monochrome (removable infrared-cut filter)	
Electronic shutter speed	1/100000s to 1s	
White balance	Auto/Auto-Track/Manual/OnePush, Scenarios mode: Indoor/Outdoor/Fixed sodium lamp/Fluorescent lamp /Incandescent lamp	
Gain Control	Automatic / manual	
Wide Dynamic Range	120dB (Physical WDR on)	
Backlight compensation	Supported	
Highlight suppression	Supported	
Digital Noise Reduction	Self-adaptive to 2D or 3D DNR	
Defog	Automatic / Manual	
Image stabilization	Electronic image stabilization	
IR coverage	Max. 50 meters	Max. 30 meters
Invisible IR	--	Supported,940nm LEDs
Lens		
Focal Length(Zoom Ratio)	2.8-12 mm (4.3x) motorized varifocal, F1.4(max)	
Focus	Auto Focus, One-push Focus ,Synchronism Focus	
Angular Field of View	Horizontal: 86°(Wide) ~ 34°(Tele) , Vertical: 47°(Wide) ~ 18°(Tele)	
Auto Iris	DC-Iris	
Function		
Video compression	H.265 / H.264 / MJPEG	
Resolution	1920×1080 , 1280×720 , 720×576 , 720×480 , 352×288 , 352×240	
Frame rate	60Hz : 60/30/20~1fps;50Hz : 50/25/20~1fps	
Multiple streaming	Double FHD(1080p) streams (60fps or 50fps) Treble streams (30fps or 25fps)	
Stream packages	Four predefined packages(High quality, Balanced, Low bandwidth, and Mobile devices) and four customized packages	
ISP packages	Five predefined typical scenarios(Outdoor, Indoor, Vehicle capture, Low-light, and Backlight mode) and eight user-defined scenarios.	
Audio compression	G.711a/G.711u/G.726/OPUS	
PU access protocol	ONVIF Profile S/G , GB/T 28181-2014 , HUAWEI SDK	
Network protocol	TCP, UDP, IPv4, DHCP, DNS, ICMP, IGMP, HTTP, HTTPS, SFTP, RTP, RTSP, RTCP, SIP, ARP, SSL, NTP, SNMP(V1/V2/V3), 802.1x, QoS, DDNS	
Stream transmission	Unicast / multicast	
Security mode	User name and password authentication, 802.1x (MD5 Challenge), and HTTPS digital certificate, IP address filtering	
Stream encryption	AES128/192/256 encryption algorithm, and Digital Watermark	
Intelligent Analytics	Tripwire detection, Loitering detection, Intrusion detection, Abandoned object detection, Removed object detection, Target color recognition, Humans and vehicles distinguish	
Intelligent detection	Motion detection, Lens block detection	
Event triggers	Intelligent analysis, Motion detection, Lens block, and Alarm input	
Event actions	Alarm output, SD card record, and Snapshot.	
Interface		
Ethernet interface	1x RJ-45 10/100Base-T, self-adaptive Ethernet port	
Serial interface	1x RS-485 port (PELCO-P/D protocol)	
Alarm interface	2-channel alarm input and 2-channel alarm output, Phoenix connector	
Analog video interface	1-channel analog video output through the CVBS interface, BNC connector	
Audio interface	1-channel audio input and 1-channel audio port ,3.5mm mono connector	
Memory card slot	1x MicroSD/SDHC/SDXC slot supporting memory card up to 64 GB	
General Parameter		
Power supply	DC12V $\pm 25\%$, DC24V $\pm 25\%$, AC24V $\pm 25\%$, PoE(IEEE 802.3at). Non-polarized DC power supply, and DC/AC supply is hot backup with PoE.	
Power consumption	Typical consumption: 3.9 W Maximum consumption: 14.3 W	Typical consumption: 3.9 W Maximum consumption: 16.6 W
Operating environment	Operating temperature : $-40^{\circ}\text{C} \sim 60^{\circ}\text{C}$ Relative humidity: 5% to 95% (non-condensing)	
Electromagnetic compatibility (EMC)	Complies with EN 55022 Class A,EN 55024,EN 50130-4,EN 61000-6-1,EN 61000-6-3,EN 61000-3-2,EN 61000-3-3 and FCC Part 15 Subpart B Class A	
Lightning surge suppression	6kV surge voltage, complies with IEC 61000-4-5	
IP protection class	IP66, complies with IEC 60529	
Vandal-proof Class	IK10 vandal-proof metal casing complies with IEC 62262	
Anti-corrosion	Satisfies the ISO9223 Class C4 environment , complies with IEC60068-2-11	
Net weight	1.4 kg	
Gross weight	1.9 kg	
Physical dimensions	353.6×128.1×120.0 mm	
Packing dimensions	418.0×163.0×155.0 mm	